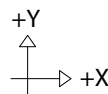


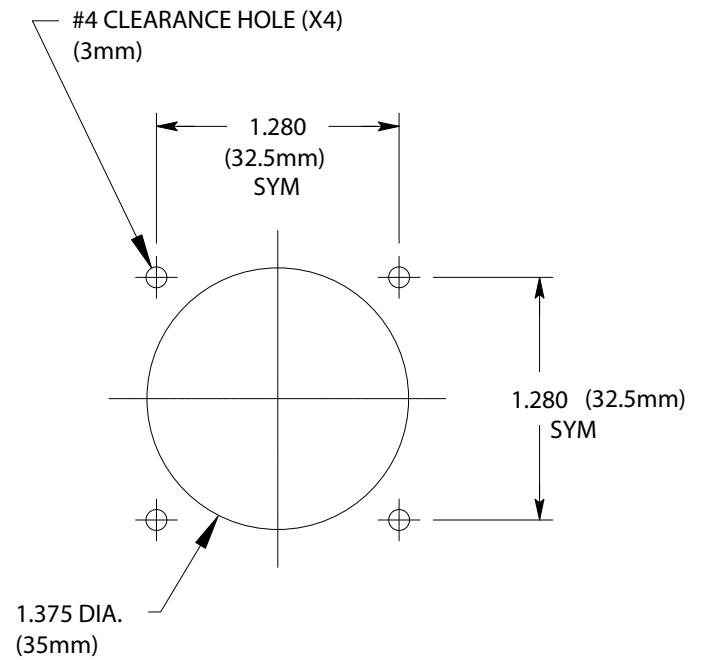
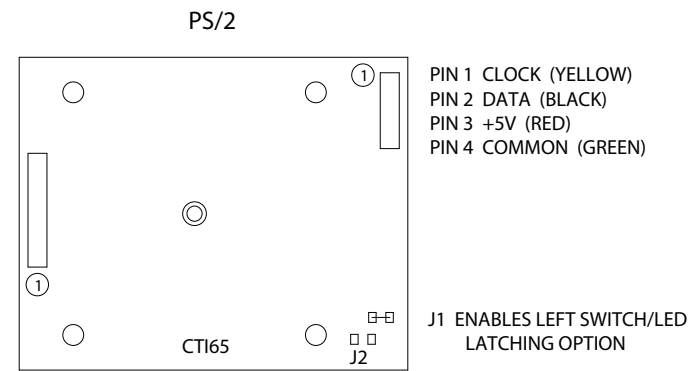
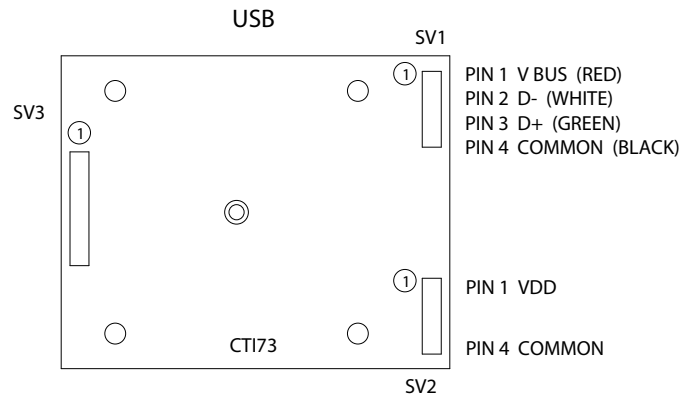
ORBITALMOUSE
GRAY SILICONE
(BUTTON STYLE POINTER)

.06 THK. PCB
(1.5mm)

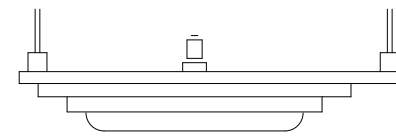


PIN 1 LEFT SWITCH
PIN 2 MIDDLE SWITCH
PIN 3 RIGHT SWITCH
PIN 4 SWITCH COMMON
PIN 5 LED - (CATHODE)
PIN 6 LED + (ANODE)

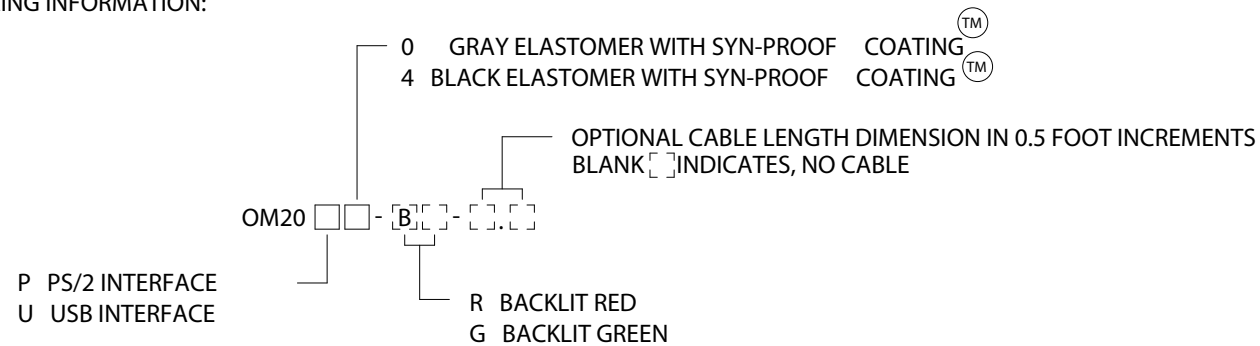
PIN 6 LED + (ANODE)
PIN 5 LED - (CATHODE)
PIN 4 SWITCH COMMON
PIN 3 RIGHT SWITCH
PIN 2 MIDDLE SWITCH
PIN 1 LEFT SWITCH



MOUNTING DETAIL



ORDERING INFORMATION:



(DEFAULT CABLE LENGTH IS 9.5 FT.)

CTI ELECTRONICS CORPORATION	
110 Old South Ave., Stratford, CT 06615 - Tel 203 / 386-9779 - Fax 203 / 378-4986 - www.ctielectronics.com	
TITLE: MODEL OM2000 SERIES ORBITALMOUSE™ (BUTTON STYLE POINTER)	
REV. E DATE: 12-27-05	B 761763
APPROVED: SJS / VI	