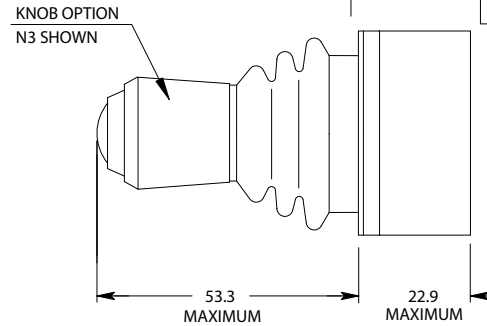
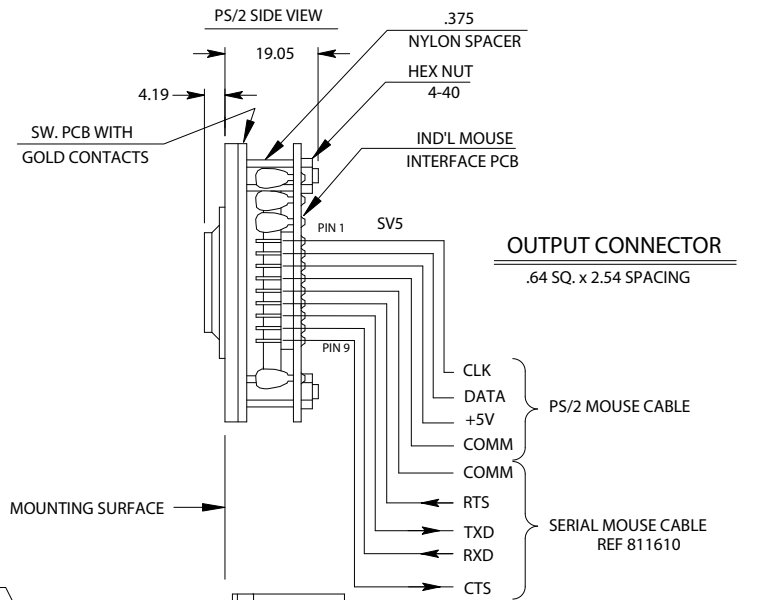
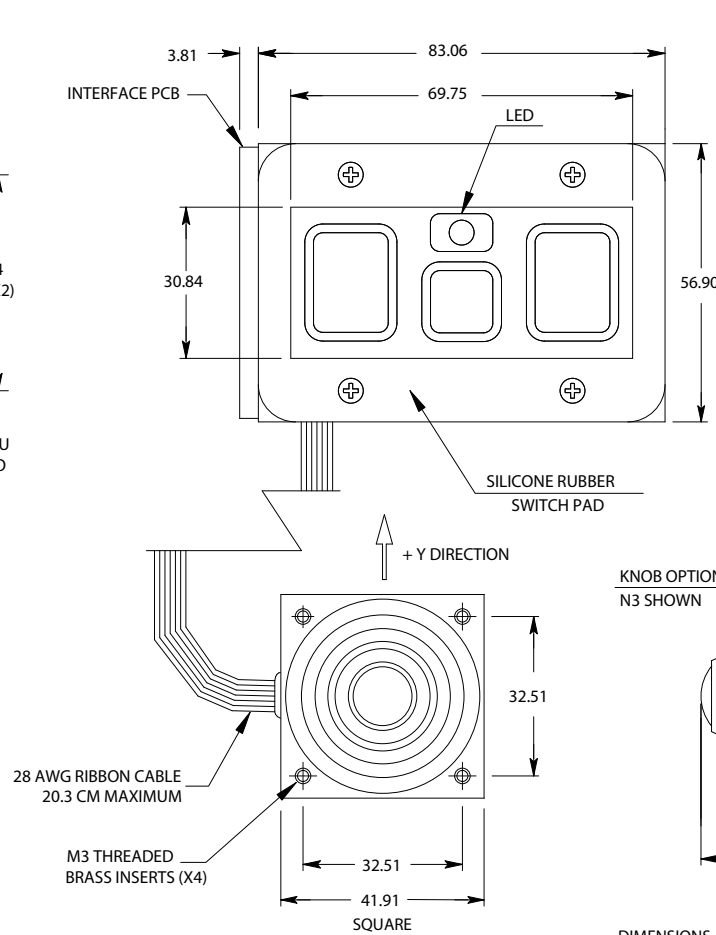
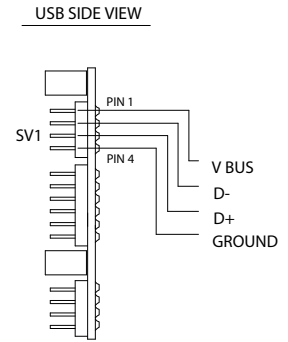


ORDERING INFORMATION:

- 5 BLACK ELASTOMER
 - 9 GRAY ELASTOMER
 - BLANK INDICATES NO OPTIONS TO JOYSTICK
 - KNOB OPTION (REF DWG. B761252)
 - OPTIONAL CABLE LENGTH DIMENSION. IN 0.5 FOOT INCREMENTS (MINIMUM LENGTH IS 1.0 FT, MAXIMUM LENGTH IS 9.5 FT)
 - BLANK [] INDICATES NO CABLE
- F83 [] [] - [N] [3] - [] [] []
- P PS/2 INTERFACE
 U USB INTERFACE
 1 RS232, (FOR STANDARD SERIAL MOUSE APPEND "MSOF") NO CABLE ATTACHED:



DIMENSIONS ARE IN MILLIMETERS



JOYSTICK OPTIONS	
G	MAXIMUM COMPRESSION SPRING
Z	CONFORMAL COATING
RF	CONDUCTIVE BOOT AND FERRITE BEAD
D	LOW TEMPERATURE RANGE (-40°C TO +80°C)
N	NEUTRAL SWITCH (AVAILABLE ON +5V MODELS ONLY)
T	FLIGHT STICK PROGRAM USB ONLY (NON-MOUSE)

CTI ELECTRONICS CORPORATION
 110 OLD SOUTH AVE, STRATFORD, CT 06615
 WWW.CTIELECTRONICS.COM

OEM INDUSTRIAL MOUSE,® OR
 USB FLIGHTSTICK F8300-NX SERIES
 (METRIC STANDARD)

B 761768-1

REV. J

