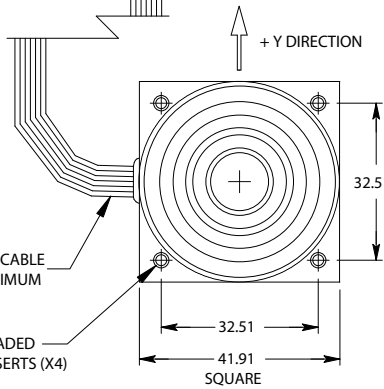
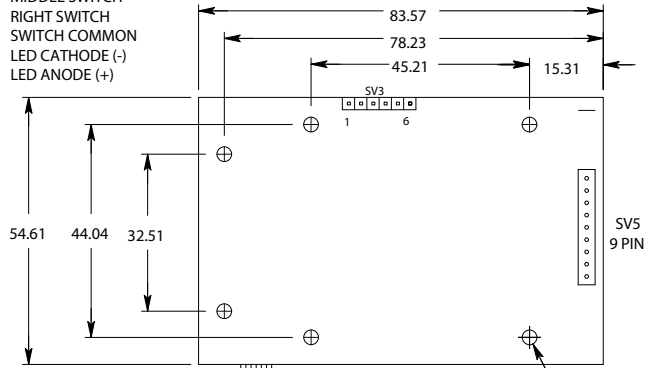


SV3 PIN OUTS FOR PS/2 & USB

- PIN 1 LEFT SWITCH
- PIN 2 MIDDLE SWITCH
- PIN 3 RIGHT SWITCH
- PIN 4 SWITCH COMMON
- PIN 5 LED CATHODE (-)
- PIN 6 LED ANODE (+)

PS/2 OR USB INTERFACE PCB



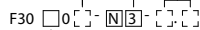
ORDERING INFORMATION:

BLANK INDICATES NO OPTIONS TO JOYSTICK

KNOB OPTION (REF DWG. B761252)

OPTIONAL CABLE LENGTH DIMENSION IN 0.5 FOOT INCREMENTS
(MINIMUM LENGTH IS 1.0 FT, MAXIMUM LENGTH IS 9.5 FT.)

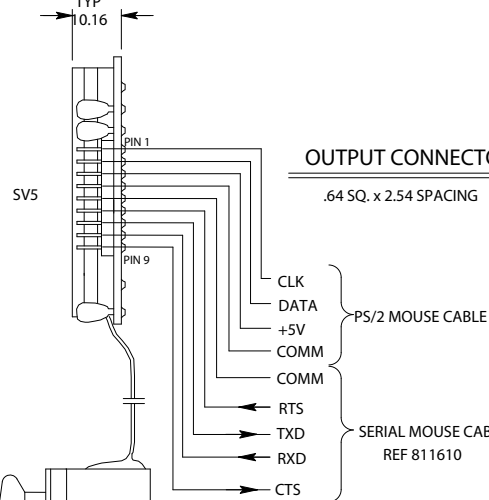
BLANK [] INDICATES NO CABLE



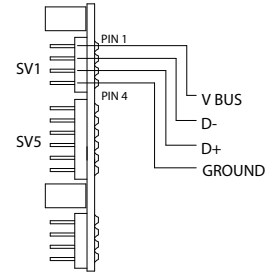
P PS/2 INTERFACE
U USB INTERFACE

1 RS232, (FOR STANDARD SERIAL MOUSE APPEND "MSOF") NO CABLE ATTACHED:

PS/2 SIDE VIEW



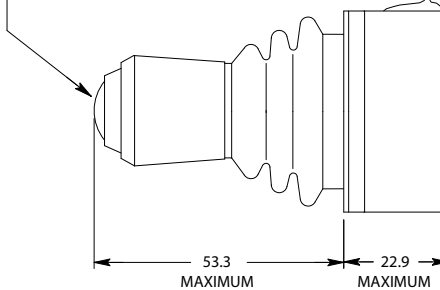
USB SIDE VIEW



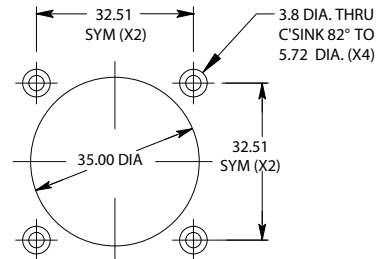
USB ADDITIONAL SWITCH INPUTS

SV5.1	SWITCH INPUT
SV5.2	SWITCH INPUT
SV5.3	SWITCH INPUT
SV5.4	SWITCH INPUT
SV5.6	SWITCH COMMON

REF. MINIATURE JOYSTICK DATA SHEET



DIMENSIONS ARE IN MILLIMETERS



MOUNTING DETAIL

JOYSTICK OPTIONS	
G	MAXIMUM COMPRESSION SPRING
Z	CONFORMAL COATING
RF	CONDUCTIVE BOOT AND FERRITE BEAD
D	LOW TEMPERATURE RANGE (-40°C TO +80°C)
N	NEUTRAL SWITCH (AVAILABLE ON +5V MODELS ONLY)
T	FLIGHT STICK PROGRAM USB ONLY (NON-MOUSE)

CTI ELECTRONICS CORPORATION
110 OLD SOUTH AVE, STRATFORD, CT 06615
WWW.CTIELECTRONICS.COM

NEMA 4 (IP66) OEM INDUSTRIAL MOUSE,® OR
USB FLIGHTSTICK F3000-NX SERIES
(METRIC STANDARD)

B 761707-1

REV. J

