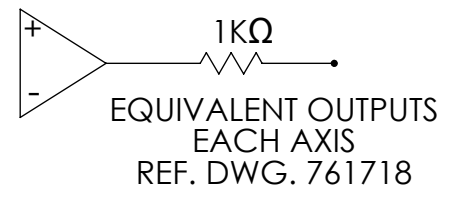


ORDERING INFORMATION

- 1 4-40 THREADED INSERTS
- 3 3MM THREADED INSERTS
- 8 3 AXES SIMULTANEOUS
- 9 X/Y AXES ARE NON-SIMULTANEOUS

| INPUT | OUTPUT |
|-------|-------------|
| 2 ±5V | ±5V |
| 4 +5V | 0.5 TO 4.5V |
| 5 +5V | 0 TO 5V |

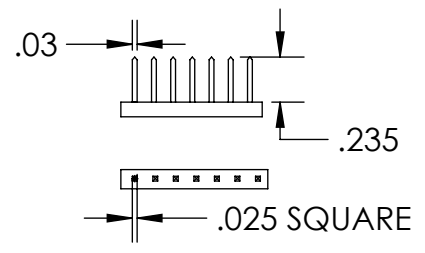


- F [] [] [] [] A [] - N84
- 0 WITHOUT NEUTRAL SWITCH
- 1 NEUTRAL SWITCH (AVAILABLE ON +5V MODELS ONLY)
- Z CONFORMAL COATING
- R CONDUCTIVE BOOT (SILICONE)
- RF CONDUCTIVE BOOT AND FERRITE BEAD
- E WITHOUT DEADBAND

SPECIFICATIONS

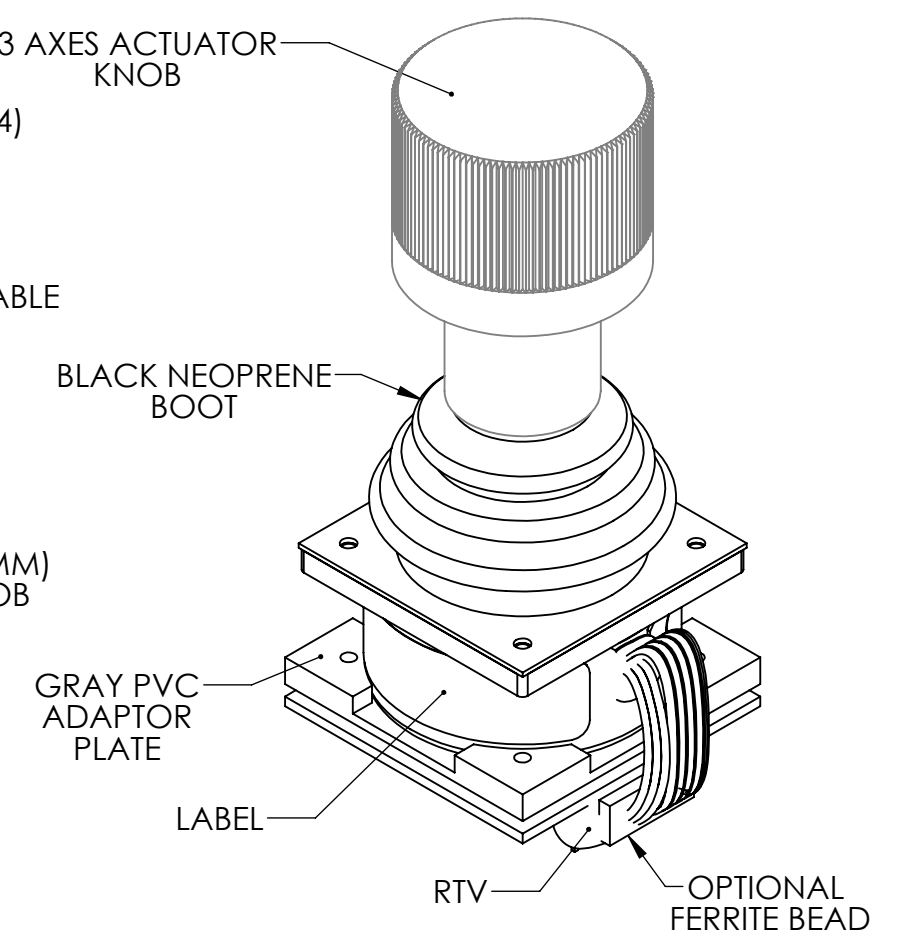
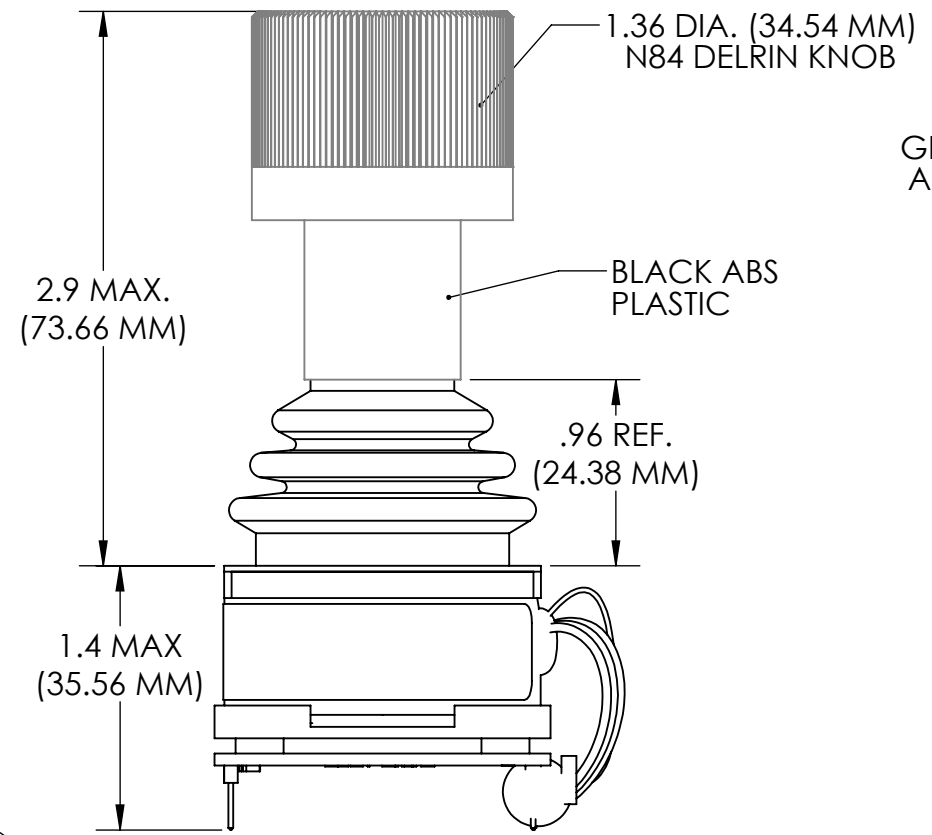
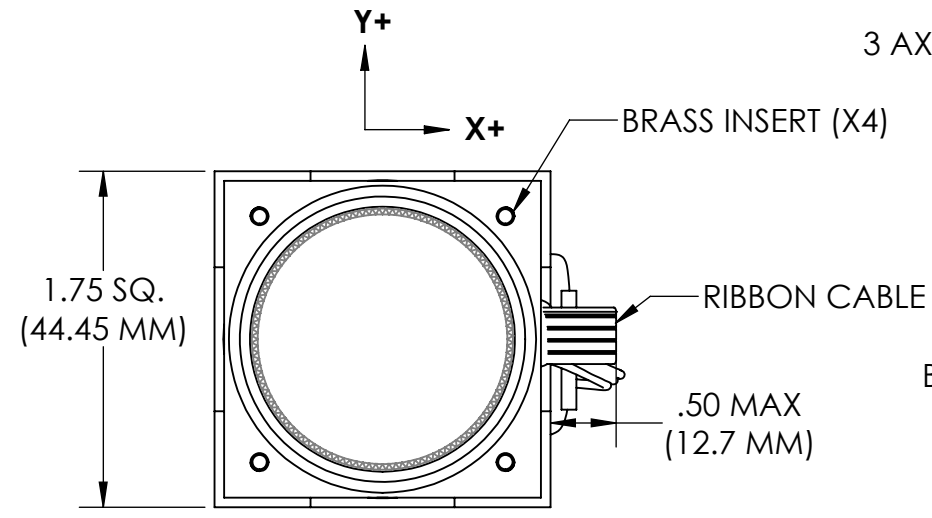
| | |
|-------------|---|
| TEMPERATURE | -40°C TO +80°C |
| SEALING | NEMA 4 / IP66 |
| WEIGHT | 4.94 oz. , 140 g |
| STANDARDS | CE, RoHS, REACH, IPC 610 CLASS II COMPLIANT |

OUTPUT HEADER DETAILS

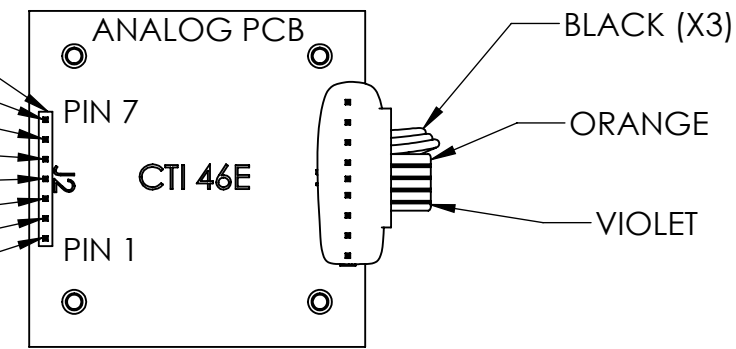
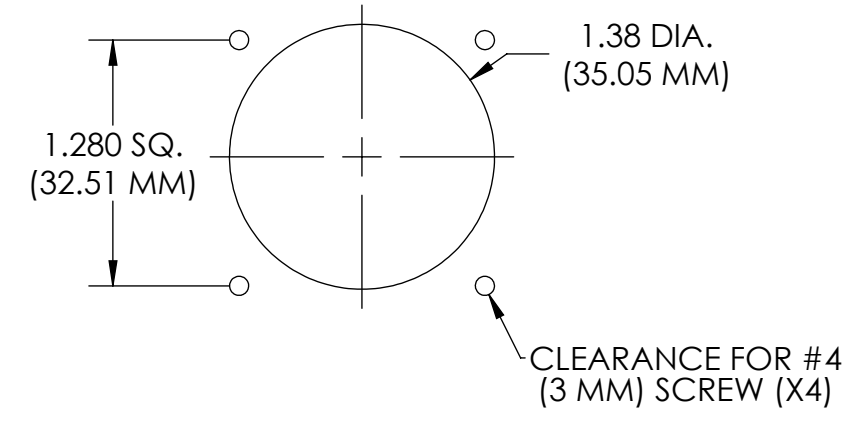


SOLDER TO HEADER OR USE "AMP" 6 POSITION CONNECTOR PART No. 1-87499-1 AND SIX PINS PART No. 102917-2, OR EQUIVALENT

| F1020 | F1040 F1050 |
|---------------|-------------------------|
| Z OUT | Z OUT |
| NOT CONNECTED | OPTIONAL NEUTRAL SWITCH |
| Y OUT | Y OUT |
| COMMON | V REF. |
| X OUT | X OUT |
| -5V | COMMON |
| +5V | +5V |



MOUNTING DETAIL



CTI ELECTRONICS CORP.
WWW.CTIELECTRONICS.COM

NEMA 4 / IP66 INDUSTRIAL JOYSTICK F18X0A-N84 SERIES WITH ADAPTOR PLATE

761868

| | | |
|-----------|--------------|------------------|
| APPROVED: | SHEET 1 OF 1 | DATE 10-27-15 |
| | | DRAWN BY: A.J.K. |

COPYRIGHT 2015 CTI ELECTRONICS CORP. SPECIFICATIONS SUBJECT TO CHANGE WITHOUT NOTICE