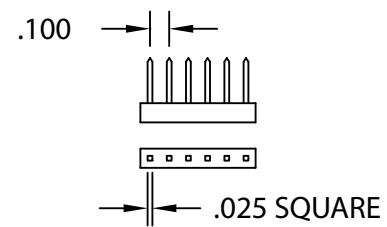
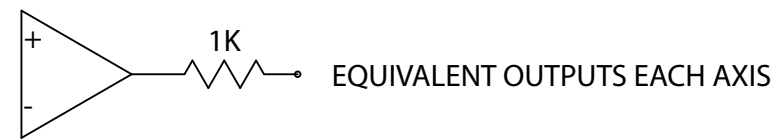
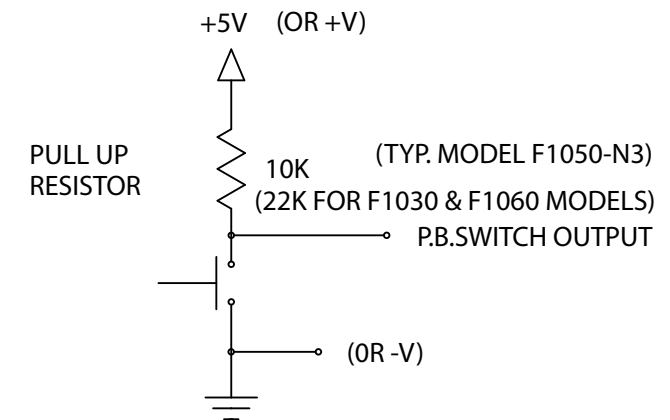
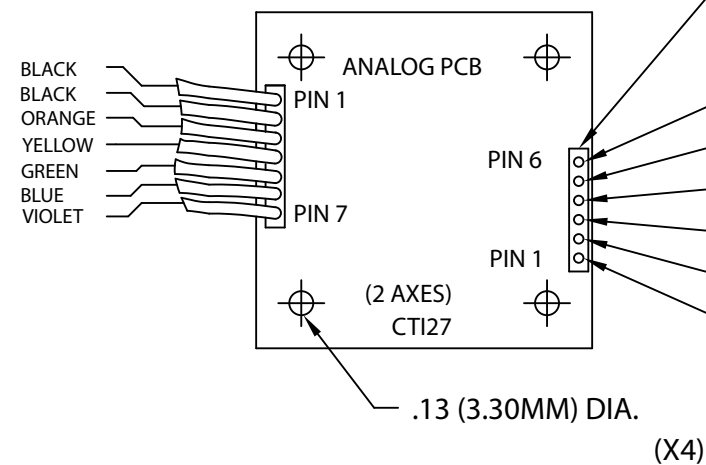


OUTPUT HEADER DETAILS

**NOTE** SOLDER TO HEADER OR USE "AMP"  
6 POSITION CONNECTOR PART No. 1-87499-1 AND  
SIX PINS PART No. 102917-2, OR EQUIVALENT.

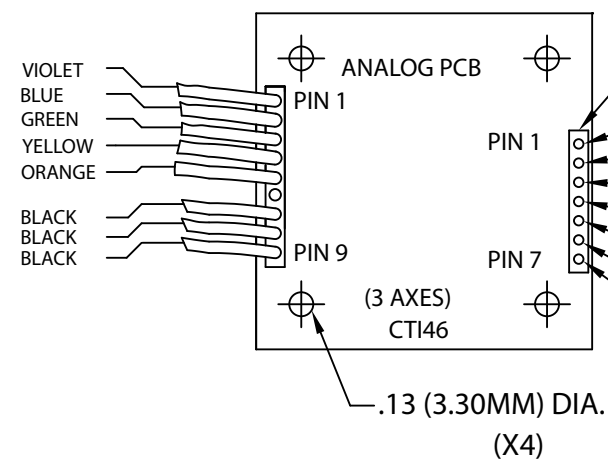
F1000	F1020	F1030	F1010 F1040 F1050	F1060
PUSH BUTTON OR OPTIONAL NEUTRAL SWITCH				
Y OUT	Y OUT	Y OUT	Y OUT	Y OUT
V REF.	COMMON	COMMON	V REF	COMMON
X OUT	X OUT	X OUT	X OUT	X OUT
COMMON	-5V	-12V	COMMON	-10V
+12V	+5V	+12V	+5V	+10V



OUTPUT HEADER DETAILS

**NOTE** SOLDER TO HEADER OR USE "AMP"  
7 POSITION CONNECTOR PART No. 87499-1 AND  
SEVEN PINS PART No. 102917-2, OR EQUIVALENT.

F1820 F1821	F1850 F1851
+5V	+5V
-5V	COMMON
X OUT	X OUT
COMMON	V REF
Y OUT	Y OUT
OPTIONAL NEUTRAL SWITCH	
Z OUT	Z OUT



FOR CE REQUIREMENTS:

- 1.) THE JOYSTICK IS MOUNTED IN A SHIELDED CASE
- 2.) CUSTOMER POWER AND SIGNAL CABLES ARE CONNECTED VIA FEED-THROUGH CAPACITORS (VALUE>2nF) OR FILTERED THROUGH FERRITE BEAD(S).
- 3.) THE SIGNAL CABLE LENGTH DOES NOT EXCEED 3 METERS

CTI ELECTRONICS CORPORATION  
WWW.CTIELECTRONICS.COM

F10X0 SERIES  
ELECTRICAL OUTPUT DETAILS

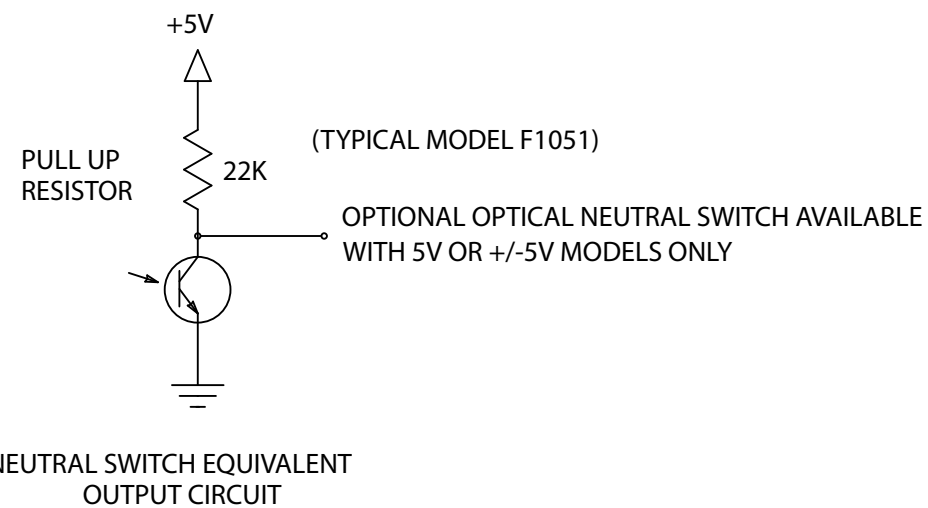
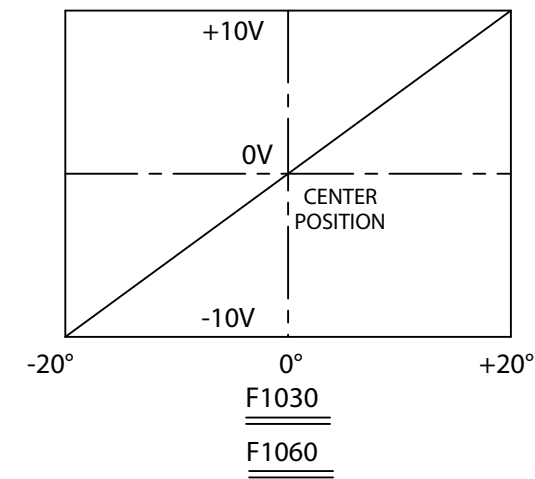
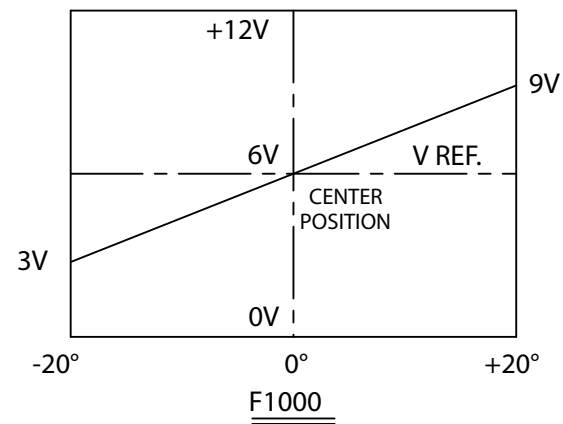
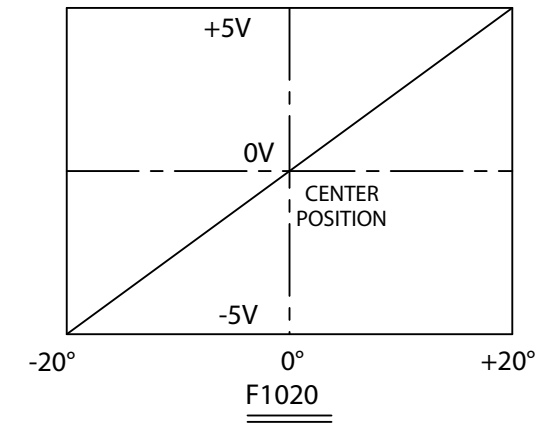
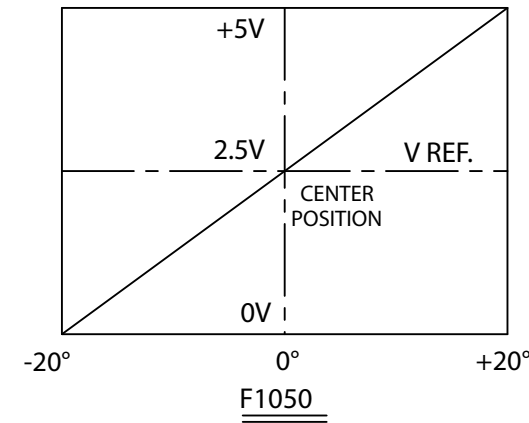
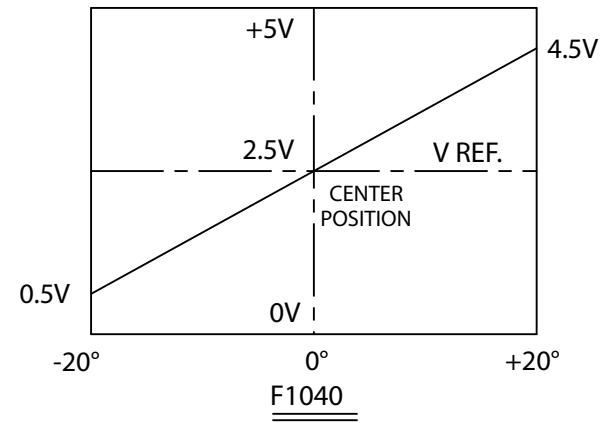
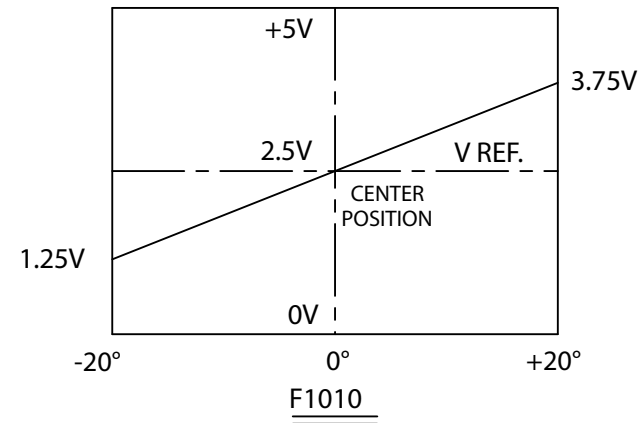
761718

APPROVED

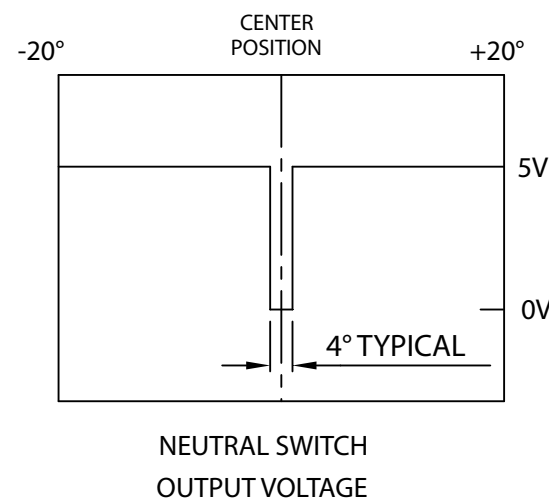
SHEET 1 OF 2  
DATE 09-25-13

REV. M  
DRAWN BY  
PSB

OUTPUT VOLTAGE vs DEFLECTION ANGLE



MODELS WITH P.B. SWITCH & OPTIONAL NEUTRAL SWITCH:  
THE P.B. SWITCH WIRES (BLACK X2) ARE NOT CONNECTED TO PCB HEADER.  
(F1051-N3 TYPICAL)



CTI ELECTRONICS CORPORATION  
WWW.CTIELECTRONICS.COM

F10X0 SERIES  
ELECTRICAL OUTPUT DETAILS

761718

APPROVED

SHEET 2 OF 2  
DATE 09-25-13

REV. M  
DRAWN BY  
PSB