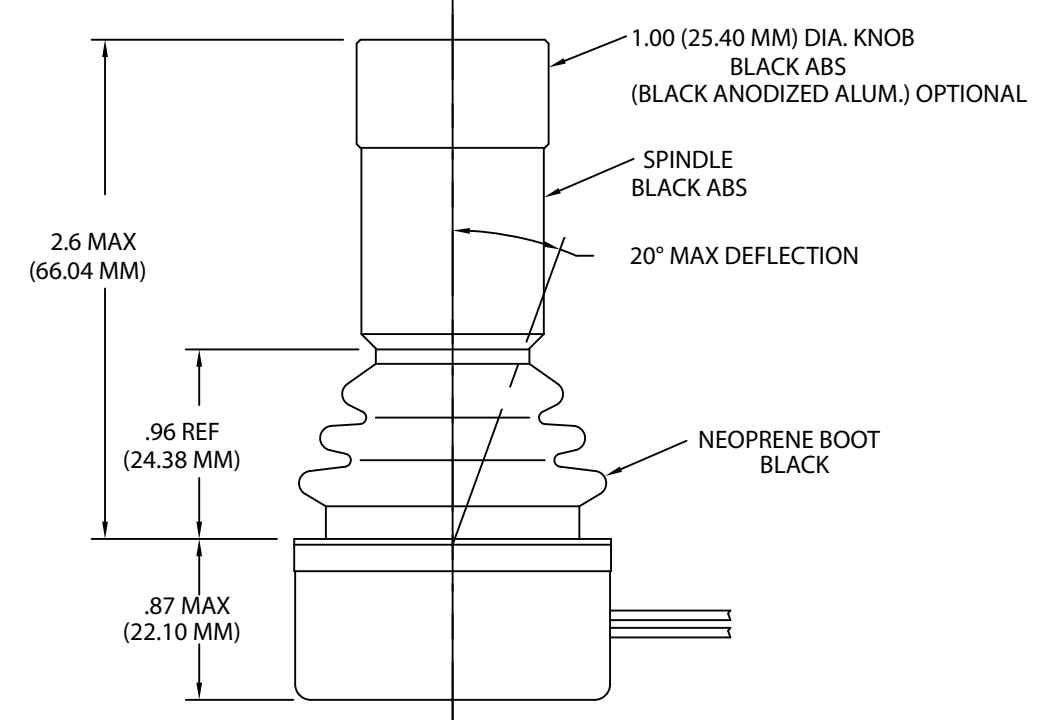
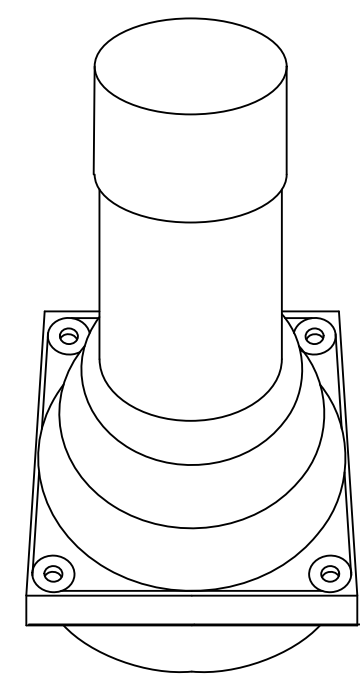


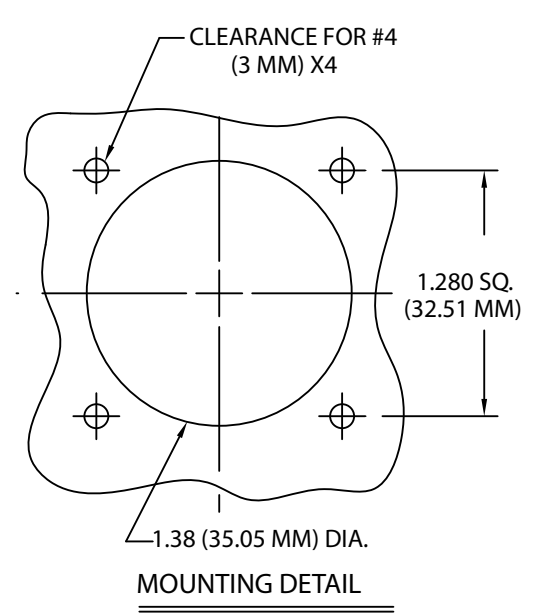
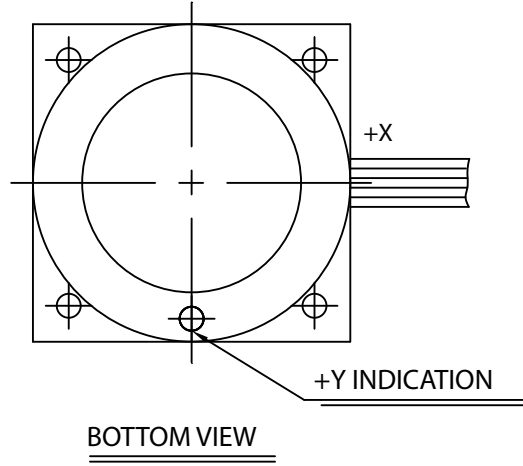
MODEL		
F1820	F1840	F1850
+5V	+5V	+5V
-5V	COMMON	COMMON
X OUT	X OUT	X OUT
COMMON	V REF	V REF
Y OUT	Y OUT	Y OUT
N/C	OPTIONAL NEUTRAL SWITCH	
Z OUT	Z OUT	Z OUT

NOTE: REFERENCE DRAWING 761718



ORDERING INFORMATION:

- 1 4-40 THREADED INSERTS
3 3 MM THREADED INSERTS
- G MAXIMUM COMPRESSION SPRING (X&Y AXIS)
 - Z CONFORMAL COATING ON PCB
 - D LOW TEMPERATURE RANGE (-40°C TO +80°C)
 - R CONDUCTIVE BOOT
 - RF CONDUCTIVE BOOT AND FERRITE BEAD
(CUSTOMER ENCLOSURE NEEDS TO BE SHIELDED)
- F 8
- N82 OR BLANK (LEGACY), PLASTIC ABS
 - NA ALUMINUM KNOB, WITH KNURL
- 0 WITHOUT OPTICAL NEUTRAL "SAFETY" SWITCH
 - 1 OPTICAL NEUTRAL "SAFETY" SWITCH
(AVAILABLE ON +5V MODELS ONLY)
- 2 +/-5V IN, +/-5V OUT
 - 4 +5V IN, 0.5V TO 4.5V OUT
 - 5 +5V IN, 0 TO 5V OUT



CTI ELECTRONICS CORPORATION
110 OLD SOUTH AVE, STRATFORD, CT 06615
WWW.CTIELECTRONICS.COM

**NEMA 12 (IP54) INDUSTRIAL JOYSTICK
F1800-N82 3 AXES SERIES**

761701

APPROVED

SHEET 1 OF 1
DATE 10-08-10

REV. H
DRAWN
PSB